

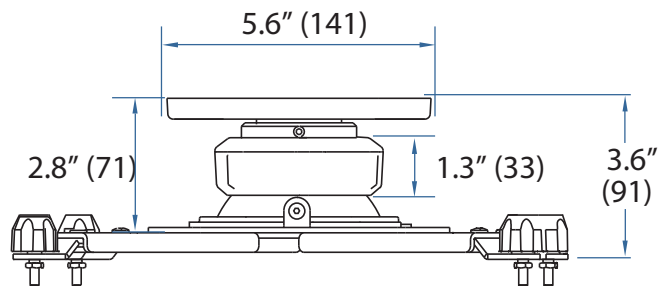
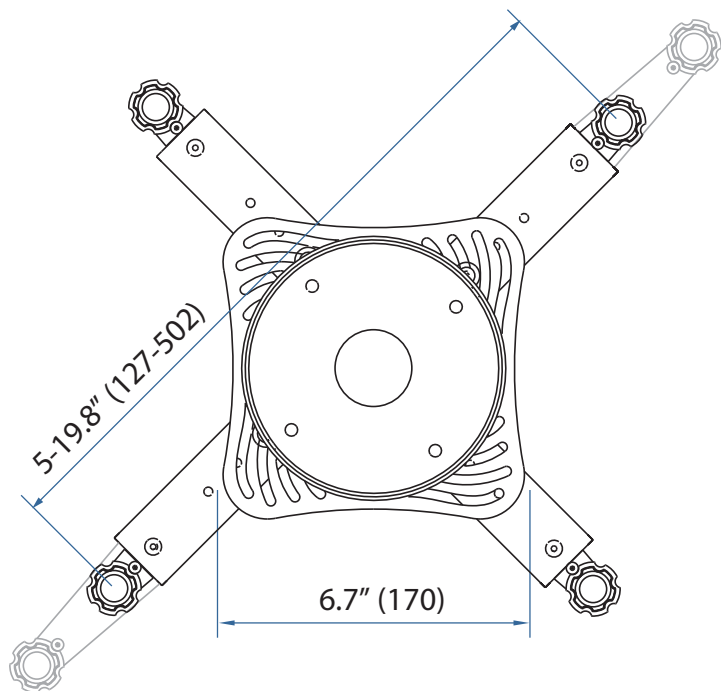
Ergotron® Ceiling Mounts Series

Dimensional Illustrations

Neo-Flex Projector Ceiling Mount



60-623



Metric Dimensions in Parentheses.

© 2011 Ergotron, Inc. rev. 03/17/2011 DIM-NF PCM Content is subject to change without notification

Americas Sales and Corporate Headquarters

St. Paul, MN USA
(800) 888-8458
+1-651-681-7600
www.ergotron.com
sales@ergotron.com

EMEA Sales

Amersfoort, The Netherlands
+31 33 45 45 600
www.ergotron.com
info.eu@ergotron.com

APAC Sales

Singapore
www.ergotron.com
info.apac@ergotron.com

Worldwide OEM Sales

www.ergotron.com
info.oem@ergotron.com

