

SMS PROJECTOR WL SHORT THROW V+



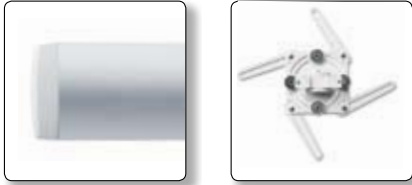
Alles Licht auf die Leinwand – nicht in die Augen des Sprechers. Ein Wandstativ mit besonders großzügigen Einstellmöglichkeiten, damit Sie in jeder Lage die höchste Bildqualität erzielen. Der Projektor kann zur Regulierung der Tiefe entlang des ganzen Arms gehängt werden. Außerdem lässt sich die Wandplatte nach oben und zur Seite variieren. Die Feineinstellung geschieht mühelos durch Rädchen an der Universalschiene, die es jetzt passend zum Projektor in schwarz oder weiß gibt. Neu sind auch die schwarzen und weißen Plastikdetails.

- | | | | |
|--|--|------------------------------|--|
| <input type="radio"/> Ceiling | <input type="radio"/> Heavy weight | <input type="radio"/> Fixed | <input checked="" type="radio"/> Variable |
| <input checked="" type="radio"/> Wall | <input type="radio"/> Middle weight | <input type="radio"/> Swivel | <input type="radio"/> UniSlide |
| <input type="radio"/> Floor | <input checked="" type="radio"/> Light weight | <input type="radio"/> Tilt | <input type="radio"/> Hidden |
| <input type="radio"/> Table | | <input type="radio"/> 3D | <input type="radio"/> Double |
| | | <input type="radio"/> Mobile | |

SMS PROJECTOR WL SHORT THROW V+

INFO

- Farbe: Aluminium/schwarz oder weiß
- Höchstlast: 8 kg
- Länge: 680, 1200, 1450 und 1600 mm.
- Neigung: +/-12° mit Feineinstellung seitwärts und in die Tiefe.
- Einstellbar: Die Wandplatte lässt sich +/-25 mm in der Höhe sowie +/-22,5 mm seitwärts regulieren. Der Projektor kann stufenlos entlang des ganzen Stativs gehängt werden.



Jetzt mit weißen Plastikdetails, Kabelstrumpf zur Verbergung von Kabeln, Universalschiene für Projektoren.

ART.-NR.

AE013050-P1
AE013051-P1

BESCHREIBUNG

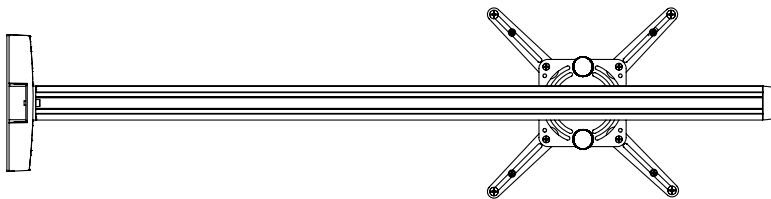
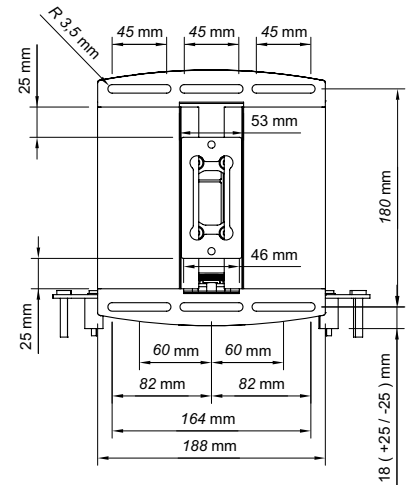
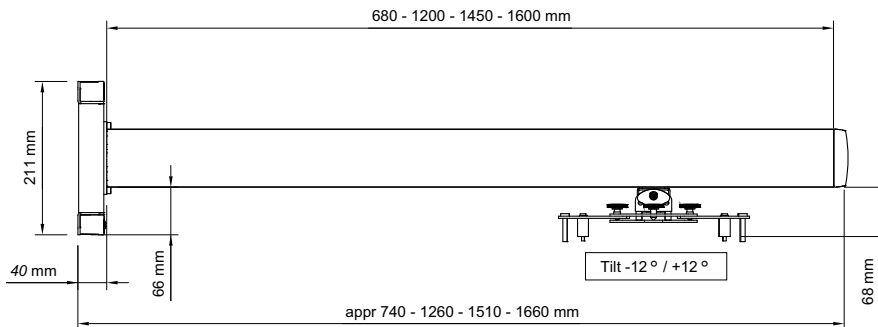
SMS Projector WL Short Throw V+ Universal A/W
SMS Projector WL Short Throw V+ Universal A/BL

Stativlänge weiß:

FS000680AW-P2	SMS Projector Short Throw 680 mm	Alu pillar Part 2 A/White
FS001202AW-P2	SMS Projector Short Throw 1200 mm	Alu pillar Part 2 A/White
FS001450AW-P2	SMS Projector Short Throw 1450 mm	Alu pillar Part 2 A/White
FS001600AW-P2	SMS Projector Short Throw 1600 mm	Alu pillar Part 2 A/White

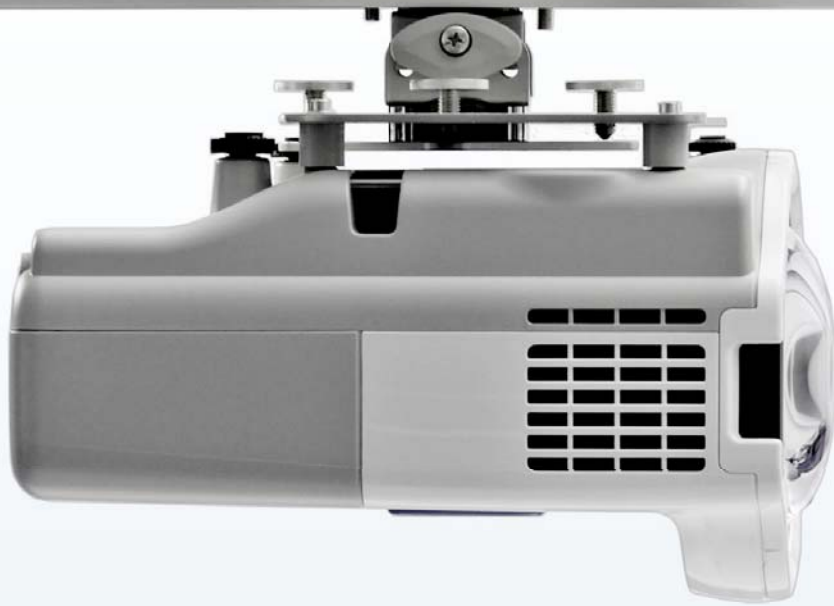
Stativlänge schwarz:

FS000680-P2	SMS Projector Short Throw 680 mm	Alu pillar Part 2 A/Black
FS001202-P2	SMS Projector Short Throw 1200 mm	Alu pillar Part 2 A/Black
FS001450-P2	SMS Projector Short Throw 1450 mm	Alu pillar Part 2 A/Black
FS001600-P2	SMS Projector Short Throw 1600 mm	Alu pillar Part 2 A/Black



SMART MEDIA SOLUTIONS

www.SmartMediaSolutions.se



Short Throw is in the air:

SMS responds with a gracile wall-mounted bracket with greater adjustment.

We are happy to introduce two new wall-mounted short throw brackets that are just as ingenious and strong as their predecessors (WL F and WL V), but even more gracile. Select between the basic version, **V**, and a version with extra adjustment facilities, **V+**.



Short Throw innovation with three crucial advantages:



Gracile design highlights your presentation.



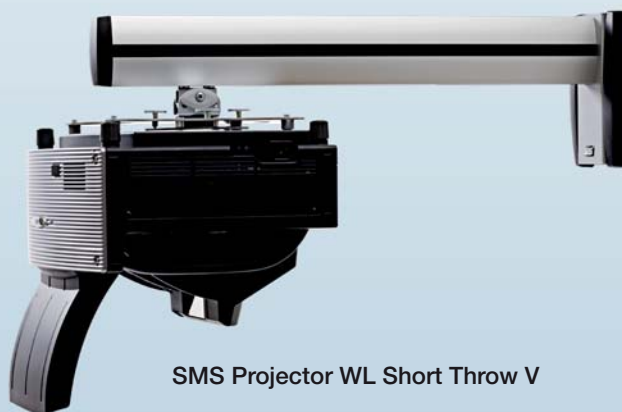
Tailored slides for most projectors ensure the highest image quality.



The opportunity to select the degree of flexibility you require – two wall plates are available, suitable for different needs.

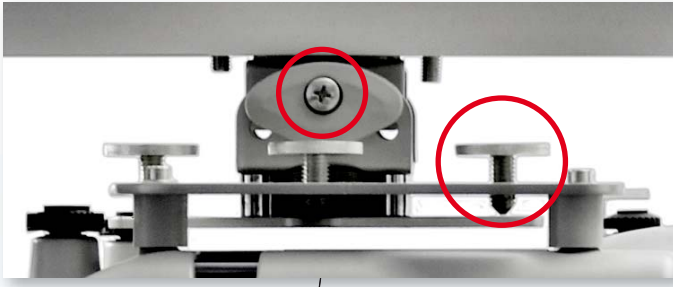


SMS Projector WL Short Throw V+



SMS Projector WL Short Throw V

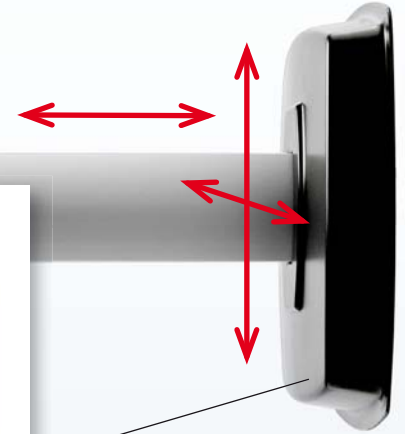
SMS Projector WL Short Throw V+



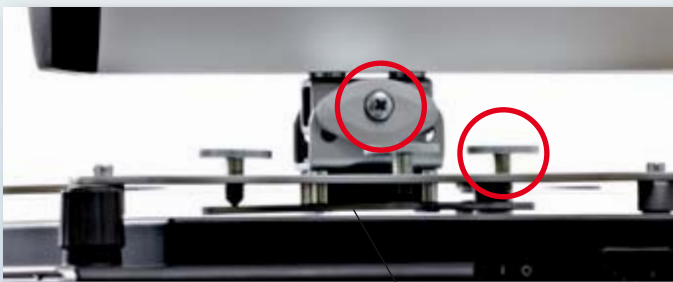
The final fine adjustment of the projector is easy to carry out with the aid of adjustment screws on the projector slide.



The column can be coarsely adjusted horizontally, vertically and in depth.



SMS Projector WL Short Throw V



Fine adjustment of the projector is easy to carry out with the aid of adjustment screws on the projector slide.



The column can be coarsely adjusted vertically using the wall plate.

More options require more article numbers.

Note that a complete order must contain two different article numbers. The number previously used (P0) has been replaced by a combination of a P1 number (specifying the wall plate and slide) and a P2 number (specifying the column).

Create your order as follows:

1

Select the degree of flexibility you require for the wall plate from the adjacent list, V (standard) or V+ (both horizontal and vertical adjustment), then select the projector manufacturer.

Note the article number for your selection – this is the P1 number.

ARTICLE NO.	DESCRIPTION	
AE013008-P1	SMS Projector WL Short Throw V+	Epson EMP400W/We
AE013010V2-P1	SMS Projector WL Short Throw V+	Hitachi A100/A110
AE013011V2-P1	SMS Projector WL Short Throw V+	Optoma EX525
AE013012V2-P1	SMS Projector WL Short Throw V+	Toshiba EX20/EW25
AE013014V2-P1	SMS Projector WL Short Throw V+	NEC WT600/610
AE013015V2-P1	SMS Projector WL Short Throw V+	Sanyo XL50/XL51
AE013016V2-P1	SMS Projector WL Short Throw V+	Mitsubishi XD500
AE013017V2-P1	SMS Projector WL Short Throw V+	BenQ MP512/522/771
AE013018V2-P1	SMS Projector WL Short Throw V+	Sanyo PLC-XL45
AE013019V2-P1	SMS Projector WL Short Throw V+	NEC NP600S/500WS

ARTICLE NO.	DESCRIPTION	
AE016001-P1	SMS Projector WL Short Throw V	Hitachi A100/A110
AE016002-P1	SMS Projector WL Short Throw V	NEC W600/W610
AE016003-P1	SMS Projector WL Short Throw V	Sanyo XL50/XL51
AE016004-P1	SMS Projector WL Short Throw V	Epson EMP-400W
AE016005-P1	SMS Projector WL Short Throw V	Optoma EX525ST
AE016006-P1	SMS Projector WL Short Throw V	Toshiba EX20/EW25
AE016007-P1	SMS Projector WL Short Throw V	Mitsubishi XD500ST
AE016008-P1	SMS Projector WL Short Throw V	BenQ MP512/522/771ST
AE016009-P1	SMS Projector WL Short Throw V	Sanyo XL45
AE016010-P1	SMS Projector WL Short Throw V	NEC NP600S/NP500WS

2

Select the correct length of the column that the adjacent list specifies for the projector manufacturer in your order.

Note the article number for your selection – this is the P2 number.

RECOMMENDED COLUMN LENGTHS

Hitachi	L=680 mm	Sanyo	L=680/1450 mm
Mitsubishi	L=1450 mm	Toshiba	L=1450 mm
NEC	L=680/1450/1600 mm	Ben Q	L=1450/1600 mm
Optoma	L=1450 mm	Epson	L=1450 mm

ARTICLE NO.	DESCRIPTION
FS000680-P2	SMS Projector Short Throw 680 mm
FS001450-P2	SMS Projector Short Throw 1450 mm
FS001600-P2	SMS Projector Short Throw 1600 mm

3

State both the P1 and the P2 number when placing your order.





www.smartmediasolutions.se